

DH-IPC-HDBW3100

1.3Megapixel Water-Proof & Vandal-Proof IR Network Dome Camera



Features

- 1/3" 1.3Megapixel progressive scan Aptina CMOS
- H.264 & MJPEG dual-stream encoding
- Max 15fps@1.3M(1280×960)&25/30fps@720P(1280×720)
- Day/Night(ICR), 2DNR, Auto iris, AWB, AGC, BLC
- Multiple network monitoring: Web viewer, CMS(DSS/PSS) & DMSS
- 2.8~12mm varifocal lens
- Built-in 1/1 alarm in/out
- Max IR LEDs length 20m
- Micro SD memory, IP66, IK10, PoE

DH-IPC-HDBW3100

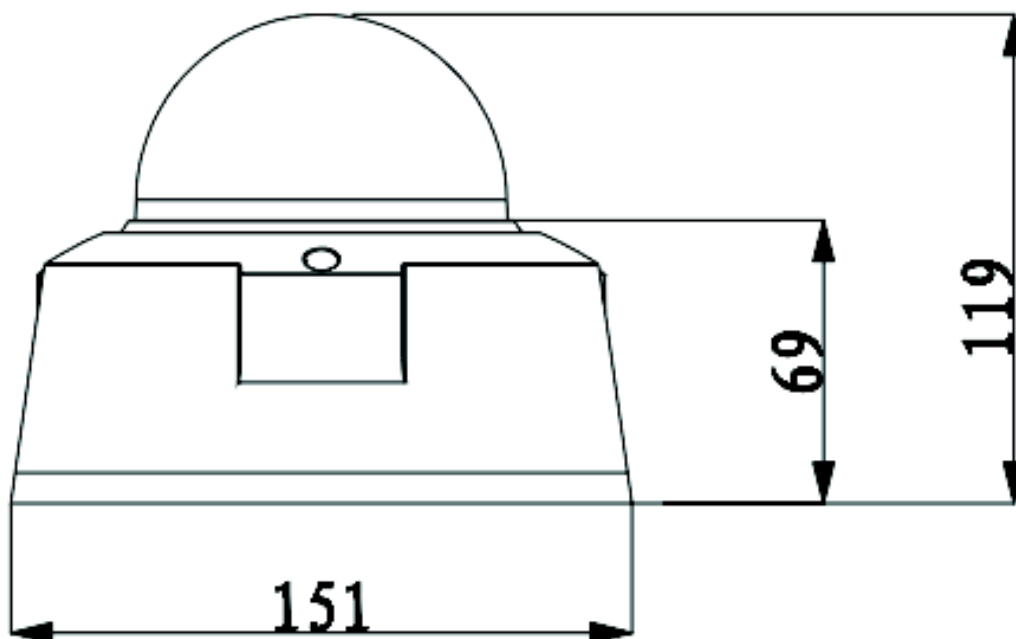
Technical Specifications

Model		DH-IPC-HDBW3100P	DH-IPC-HDBW3100N
Camera			
Image Sensor		1/3" 1.3Megapixel Aptina CMOS	
Effective Pixels		1280(H)x960(V)	
Scanning System		Progressive	
Electronic Shutter Speed		Auto/Manual 1/3~1/10000	Auto/Manual 1/4~1/10000
Min. Illumination		0.1lux/F1.4(color),0.005Lux/F1.4(B/W)	
S/N Ratio		More than 50db	
Video Output		N/A	
Camera Features			
Max. IR LEDs Length		20m	
Day/Night		Auto(ICR)/Color/B/W	
Backlight Compensation		Off/BLC/HLC/DWDR	
White Balance		AUTO	
Gain Control		Auto/Manual	
Noise Reduction		2D	
Privacy Masking		Up to 4 areas	
Lens			
Focal Length		2.8~12mm	
Max Aperture		F1.4	
Focus Control		Manual	
Angle of View		H: 92°(Wide)~27.2°(Tele)	
Lens Type		Manual/Auto Iris (DC)	
Mount Type		Board-in Type	
Video			
Compression		H.264 / MJPEG	
Resolution		1.3M(1280×960)/720P(1280×720)/D1(704×576)/CIF(352×288)	1.3M(1280×960)/720P(1280×720) / D1(704×480) / CIF(352×240)
Frame Rate	Main Stream	1.3M(1 ~ 15fps)/720P(1 ~ 25/30fps)	
	Sub Stream	D1/CIF(1 ~ 25/30fps)	
Bit Rate		H.264: 32K ~ 8192Kbps, MJPEG: 32K ~ 12288Kbps	
Audio			
Compression		G.711a / G.711u (64kbps)/ PCM(128kbps)	
Interface		1/1 channel In/Out	
Network			
Ethernet		RJ-45 (10/100Base-T)	
Wi-Fi		N/A	
Protocol		IPv4/IPv6, HTTP, HTTPS, SSL, TCP/IP, UDP, UPnP, ICMP, IGMP, SNMP, RTSP, RTP, SMTP, NTP, DHCP, DNS, PPPOE, DDNS, FTP, IP Filter, QoS, Bonjour	
ONVIF		ONVIF Ver. 2.0	

DH-IPC-HDBW3100

Max. User Access	10 users
Smart Phone	iPhone, iPad, Android, Windows Phone
Auxiliary Interface	
Memory Slot	Micro SD, Max 32GB
RS485	N/A
Alarm	1/1 channel In/Out
PIR Sensor Range	N/A
General	
Power Supply	DC12V, PoE(802.3af)
Power Consumption	<6W
Working Environment	-10°C~+60°C, 10%~90%
Ingress Protection	IK10
Vandal Resistance	IP66
Dimensions	Φ151mm×119mm
Weight	1.1kg

Dimensions (mm)



Dahua Technology Co., Ltd.

1187 BinAn Road, Binjiang District, Hangzhou, China

Tel: +86-571-87688883

Fax: +86-571-87688815

Email: overseas@dahuatech.com

www.dahuatechsecurity.com

*Design and specifications are subject to change without notice.

© 2013 Dahua Technology Co., Ltd.